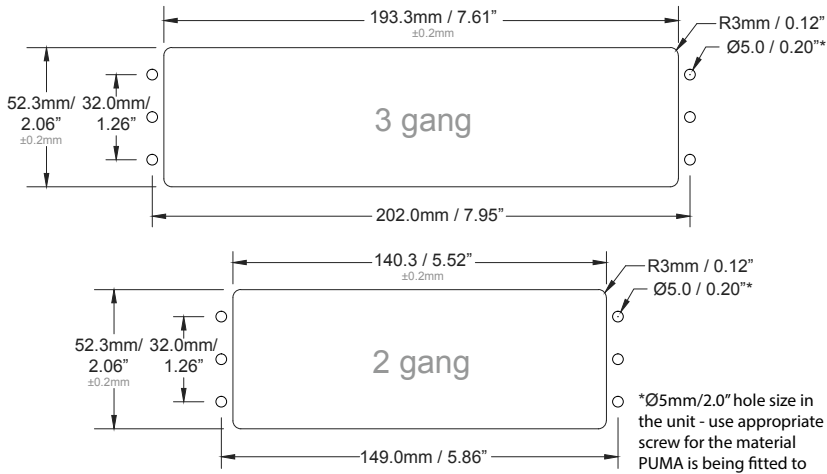


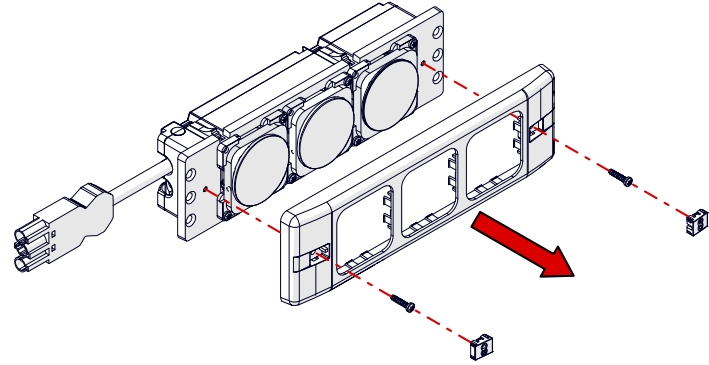
PUMA installation instructions

Thick panel

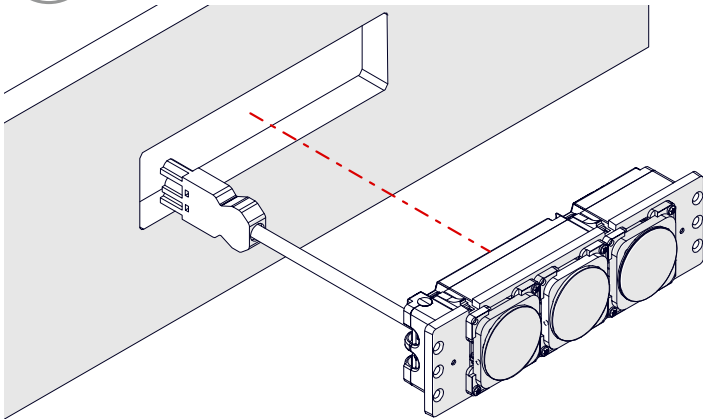
1 Cutouts & screw positions



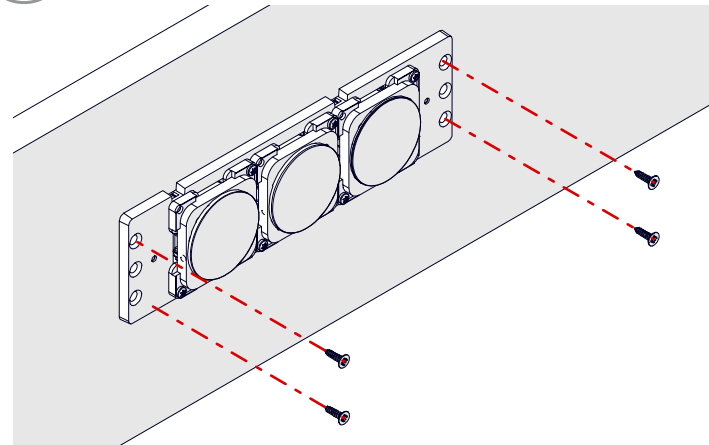
2 Remove frame



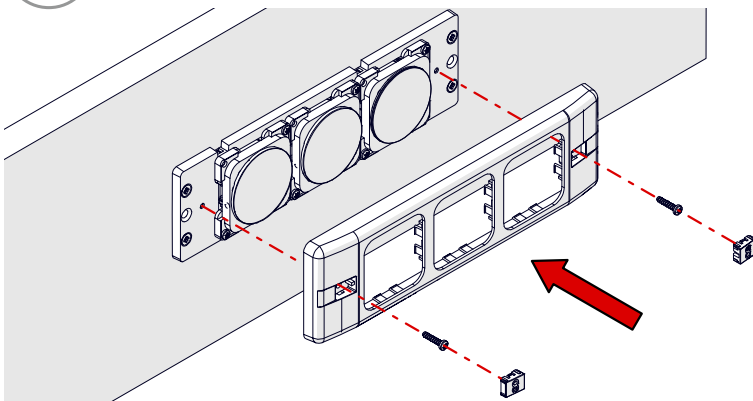
3 Screw PUMA in place



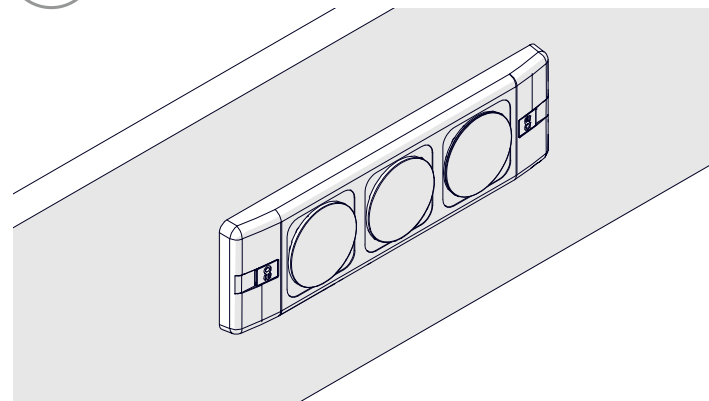
4 Fix frame to PUMA



5 Fix frame to PUMA

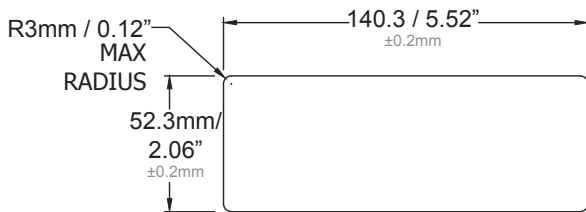
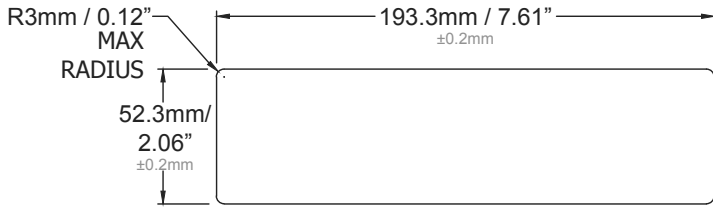


6

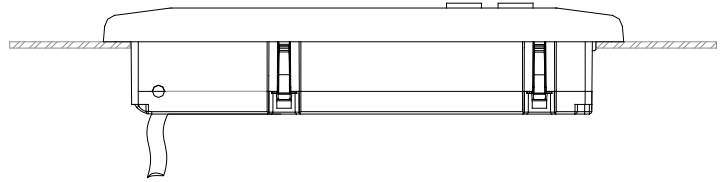


Thin panel

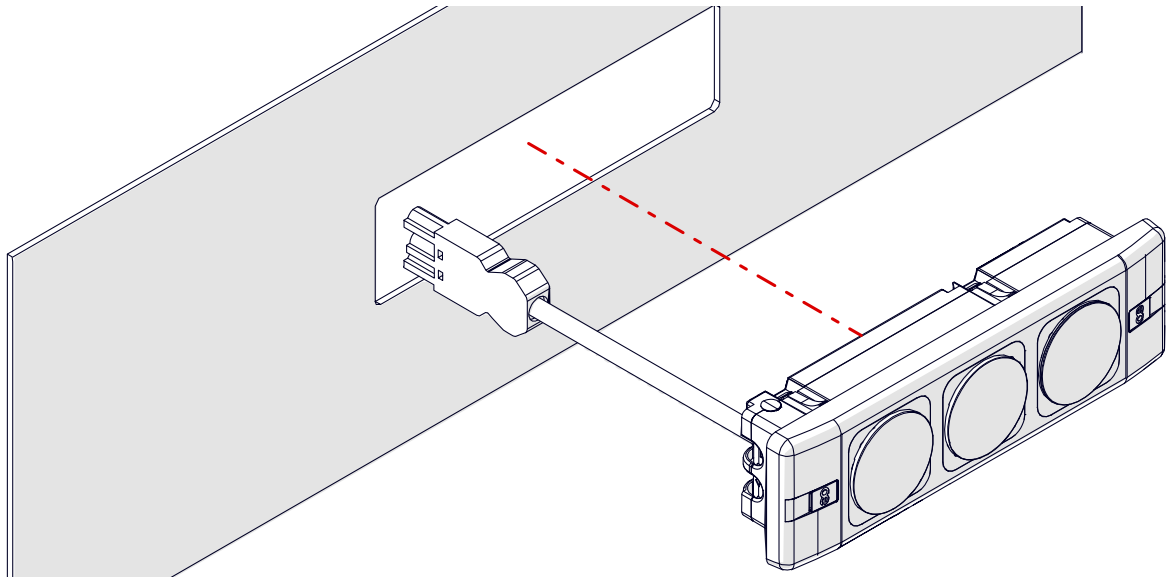
1 Cutouts & depth required



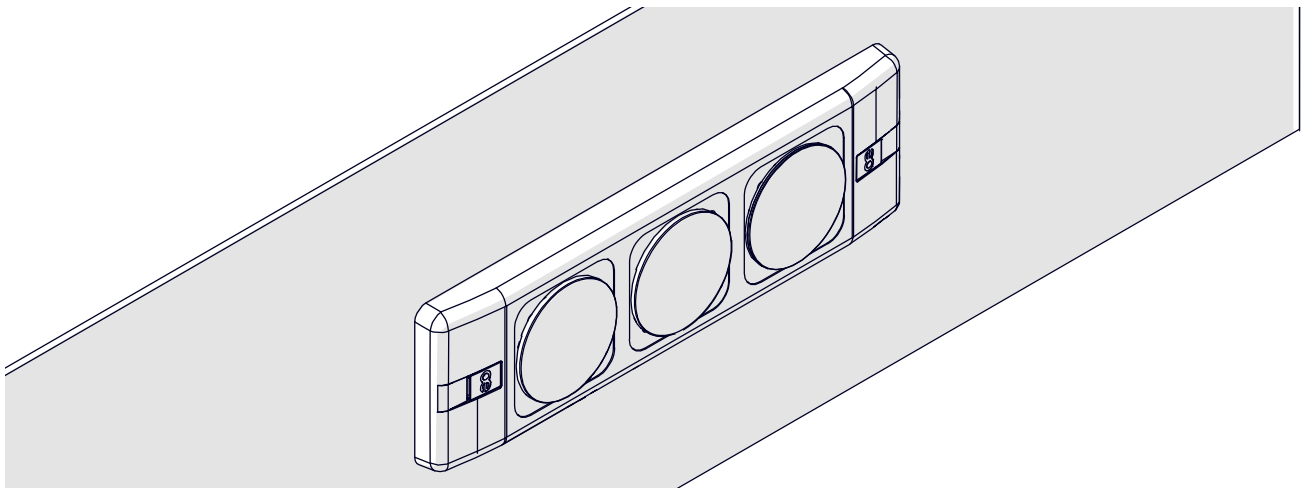
2 Max panel thickness 3mm / 0.12" (+/- 0.1mm / 0.004")



3

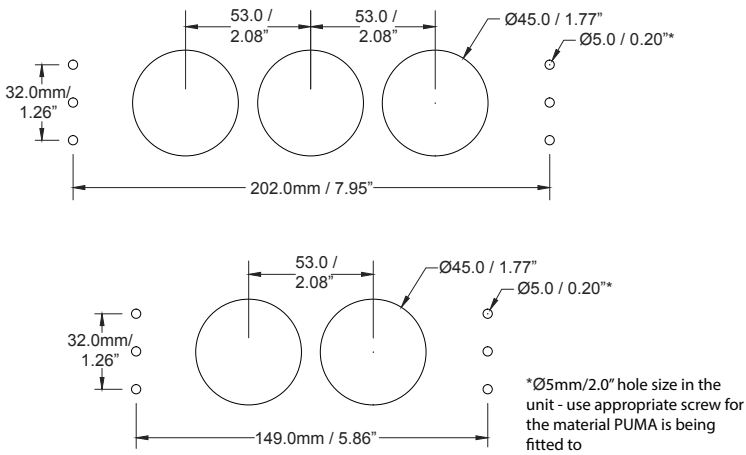


4

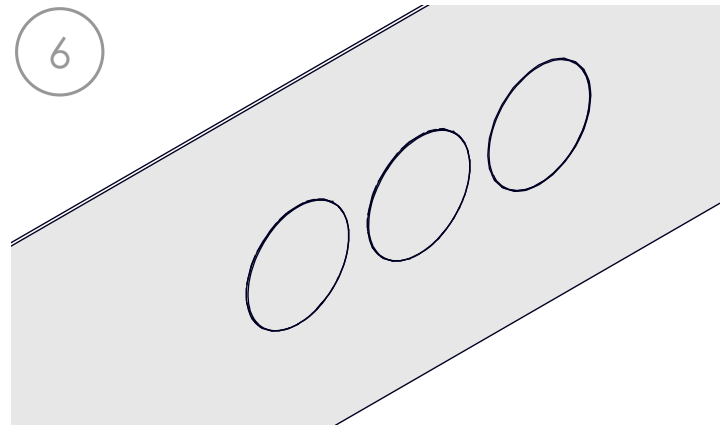
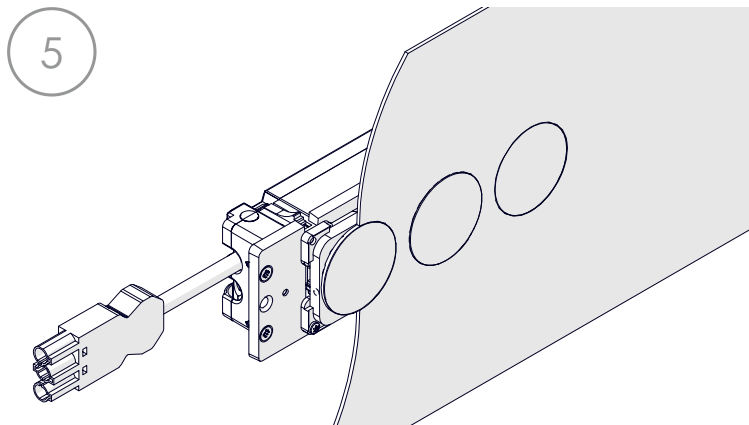
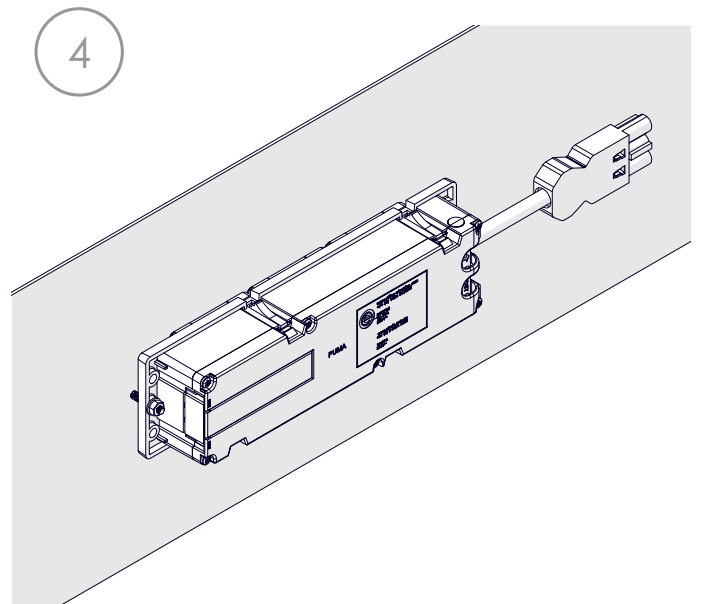
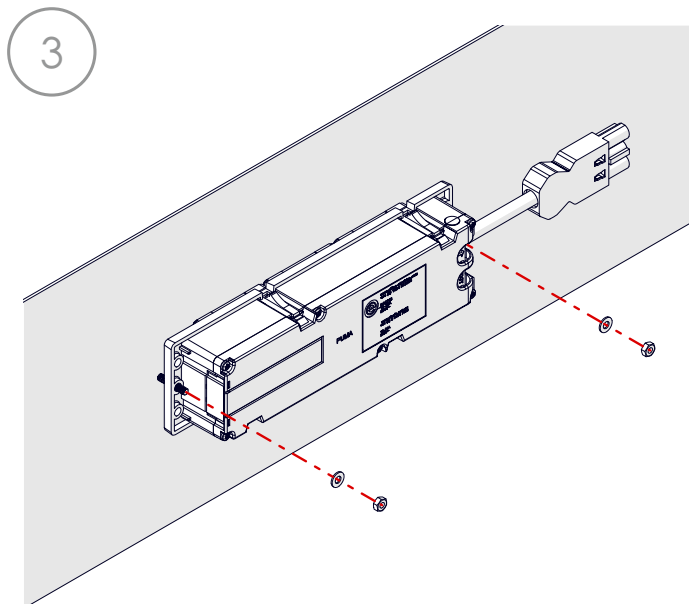
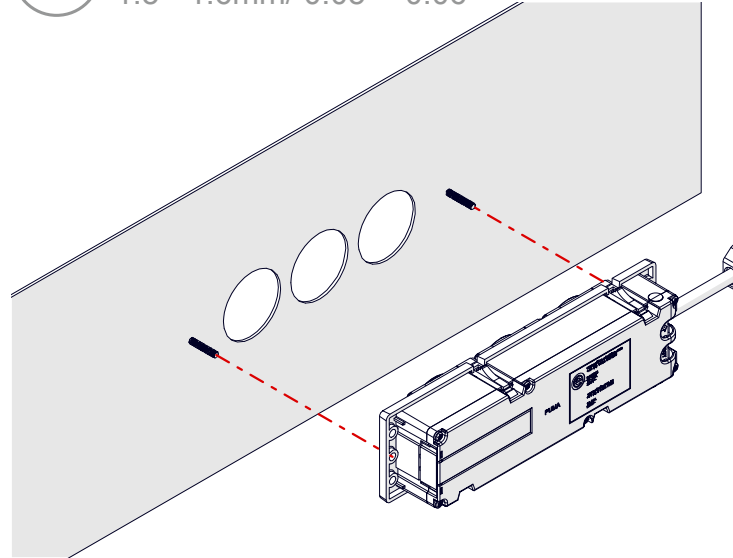


Flush mount

1 Cutouts & screw positions

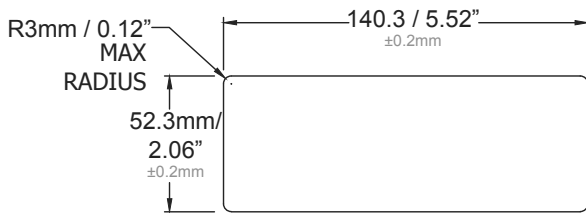
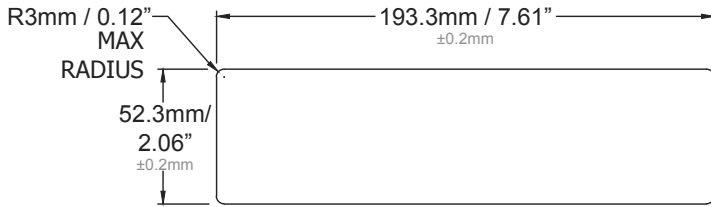


2 Panel thickness must be between 1.5 - 1.6mm / 0.05" - 0.06"

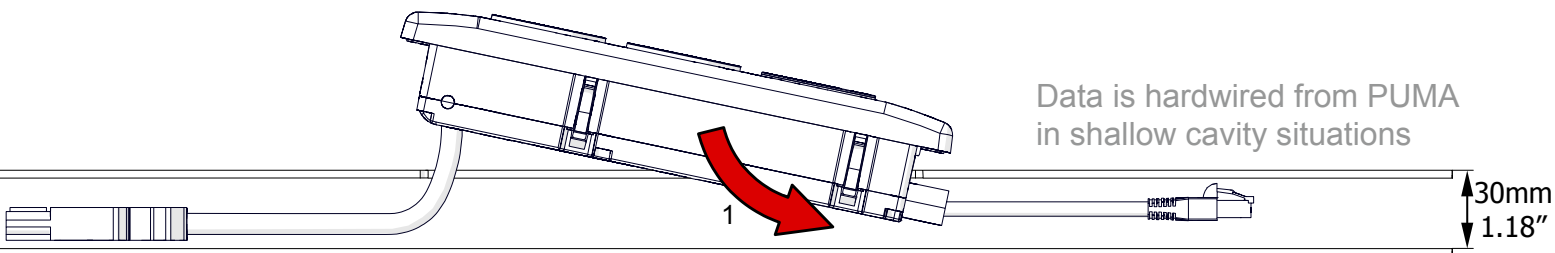


Shallow cavity

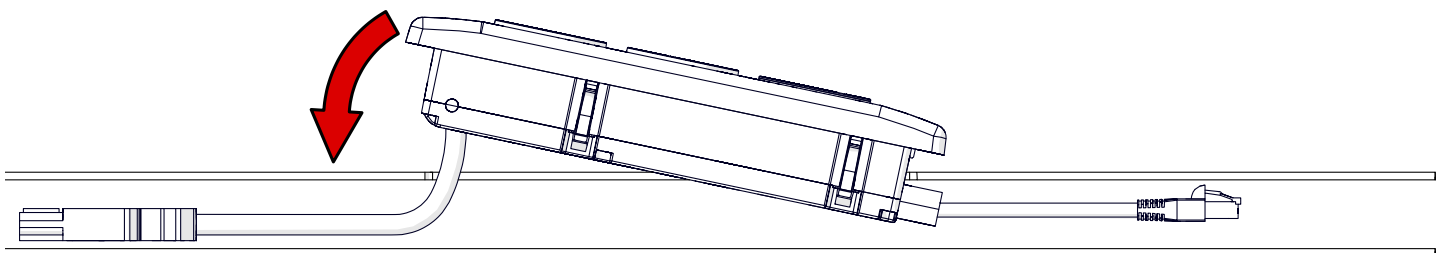
1 Cutouts & depth required



2 Slide in the right hand side



3 Press down to snap in place



4

